

Wawona Middle School Chiller Replacement

Sheet Index

- T-1 Cover, Sheet Index
- M-1 Chiller Yard Demolition Plan
- M-2 Chiller Yard Plan
- M-3 Details and Schedules

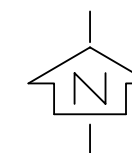
General Project Notes

1. Drawings are a general representation of work to be accomplished, contractor shall verify existing conditions, dimensions, and quantity of materials.
2. Buffer tank, Chiller, and Pump will be owner provided.



Legend	
Existing Piping	----
New Piping	—
Butterfly Valve	Z
Check Valve	N
Strainer	+Y
Chainlink Fence	⊗—⊗

Area of Work



Title Sheet
4524 N. Thorne Ave.
Fresno, CA 93704

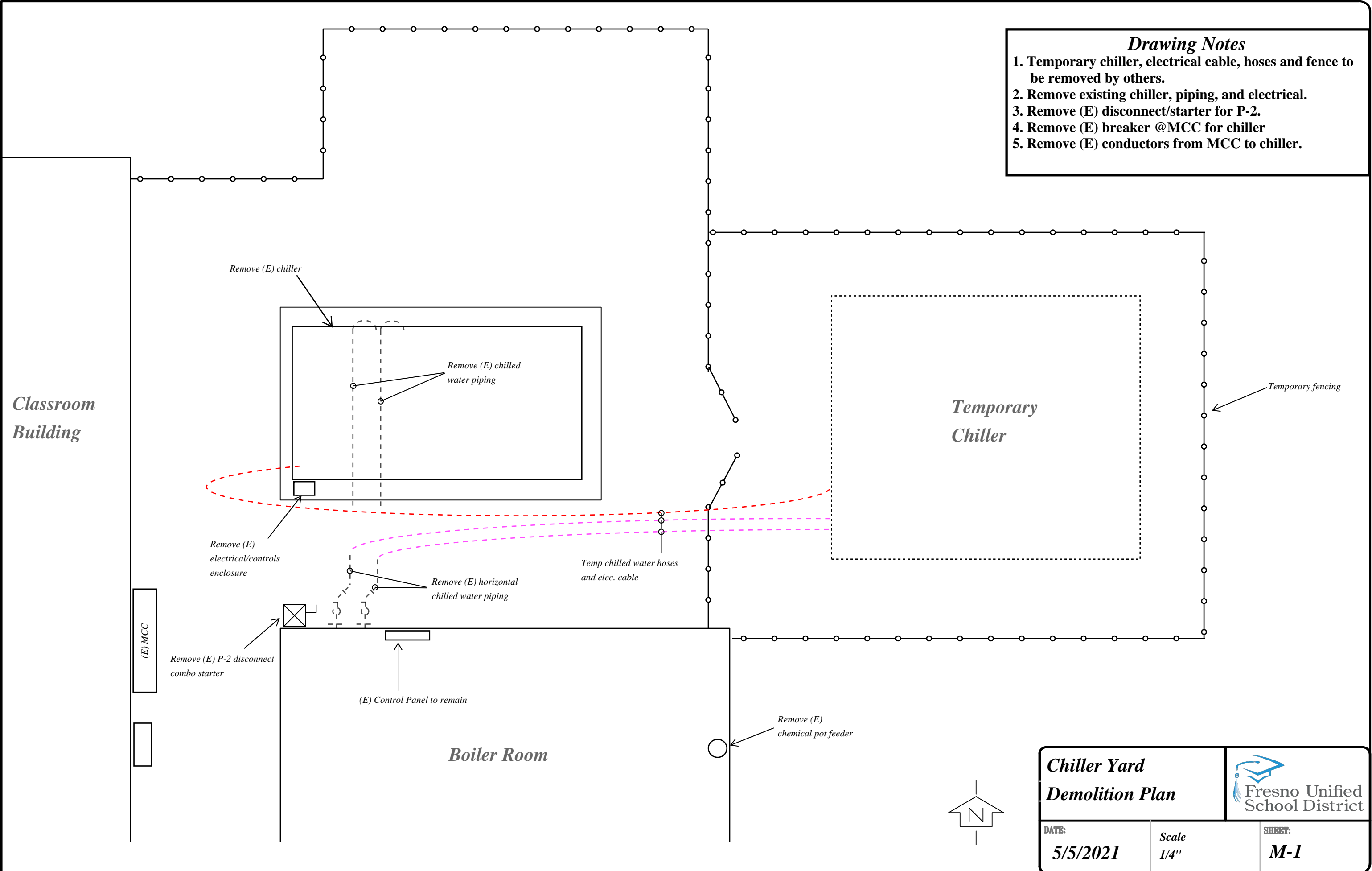



DATE:
5/5/2021

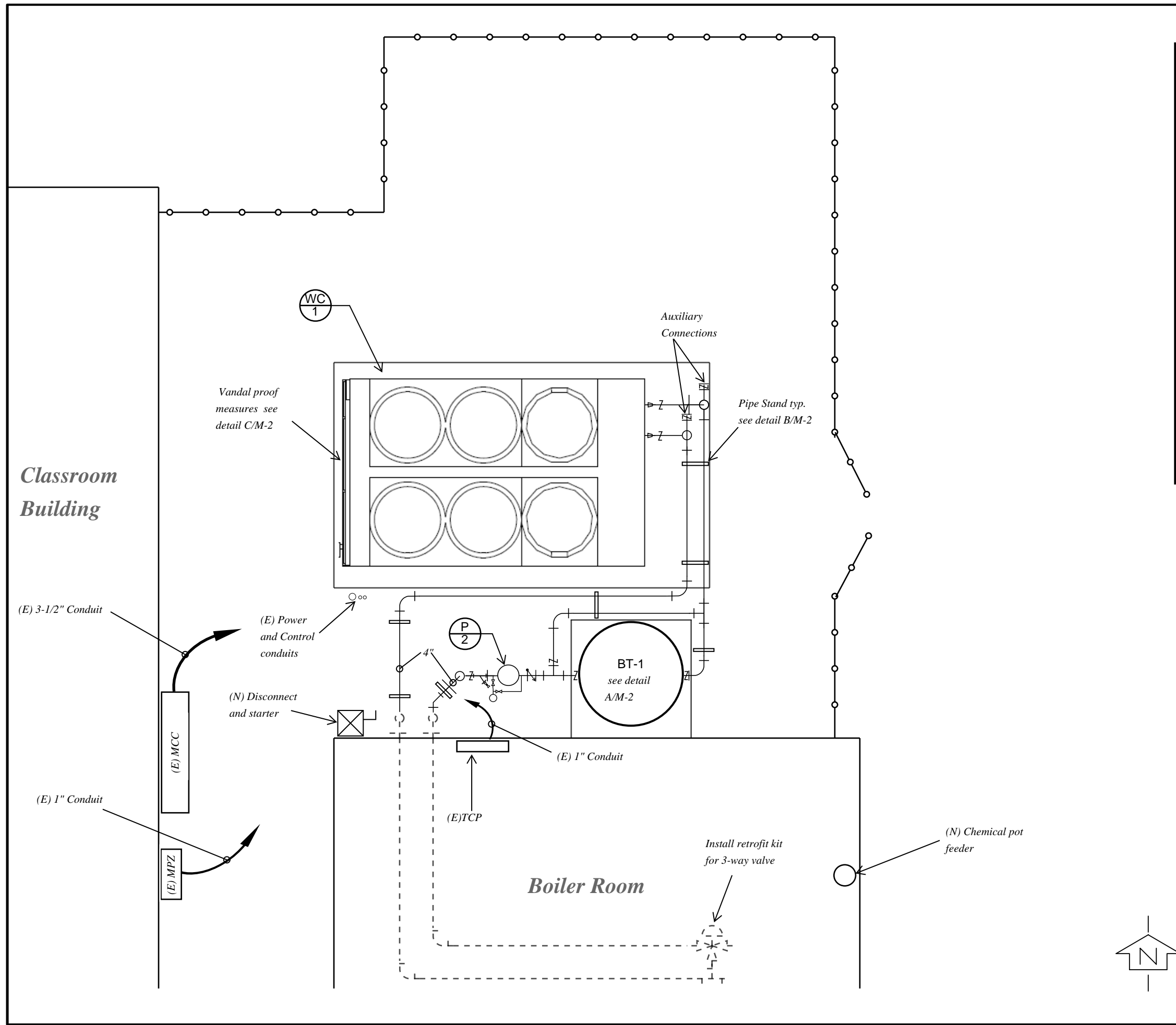
Scale
None

SHEET:
T-1

- Drawing Notes**
1. Temporary chiller, electrical cable, hoses and fence to be removed by others.
 2. Remove existing chiller, piping, and electrical.
 3. Remove (E) disconnect/starter for P-2.
 4. Remove (E) breaker @MCC for chiller.
 5. Remove (E) conductors from MCC to chiller.




Chiller Yard Demolition Plan		 Fresno Unified School District
DATE: 5/5/2021	Scale 1/4"	SHEET: M-1

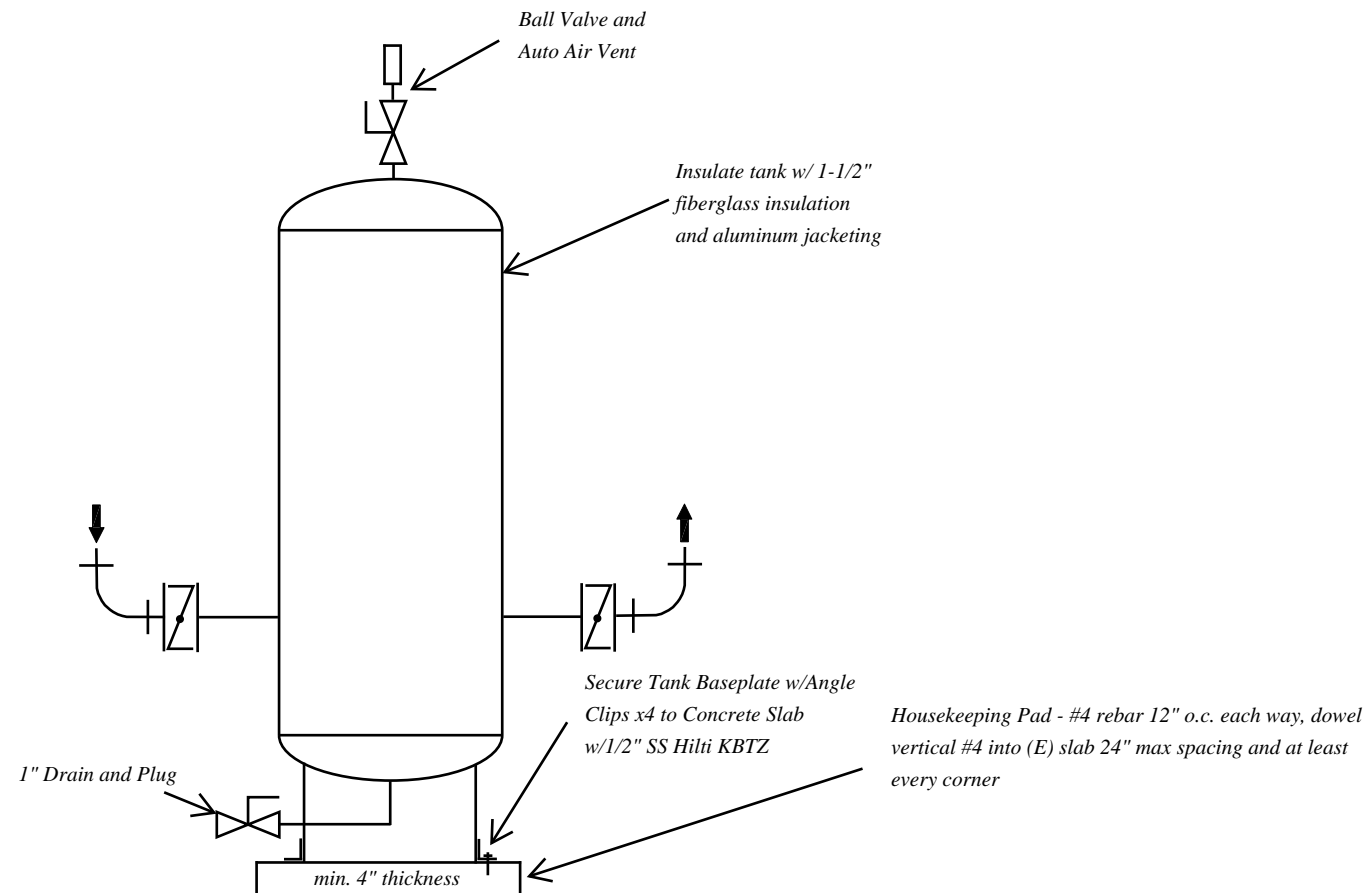


- Drawing Notes**
1. Provide and install pete's plugs, auto air vents, and thermometers @ inlet and outlet of WC-1.
 2. Provide and install pete's plugs, pressures gage @ inlet and outlet of P-2.
 3. Anchor WC-1 w/ 1/2" SS concrete anchors 3 1/2" minimum embedment, provide 6 x 4 x 1/4" SS shim @ ea. anchor point.
 4. Provide wire, conduit, sensors for WC-1 enable, WC-1 compressor status, P-2 enable (from WC-1), P-2 status, and CHWS/CHWR temperatures.
 5. Provide and install Belimo WGVL+RVB24-MFT retro-fit actuator at 3-way chilled water valve.
 6. Provide and install (N) disconnect, starter, conduit, and wire for P-2.
 7. Re-purpose (E) 115/1 circuit from MPZ for chiller strip heaters.
 8. Provide and install (N) 200 amp breaker for WC-1 @ MCC panel.
 9. Provide and install 3 - 3/0 cu, 1 - #2 cu gnd from MCC to WC-1.

Classroom Building

Boiler Room

Chiller Yard Plan		 Fresno Unified School District
DATE: 5/5/2021	Scale 1/4"	SHEET: M-2



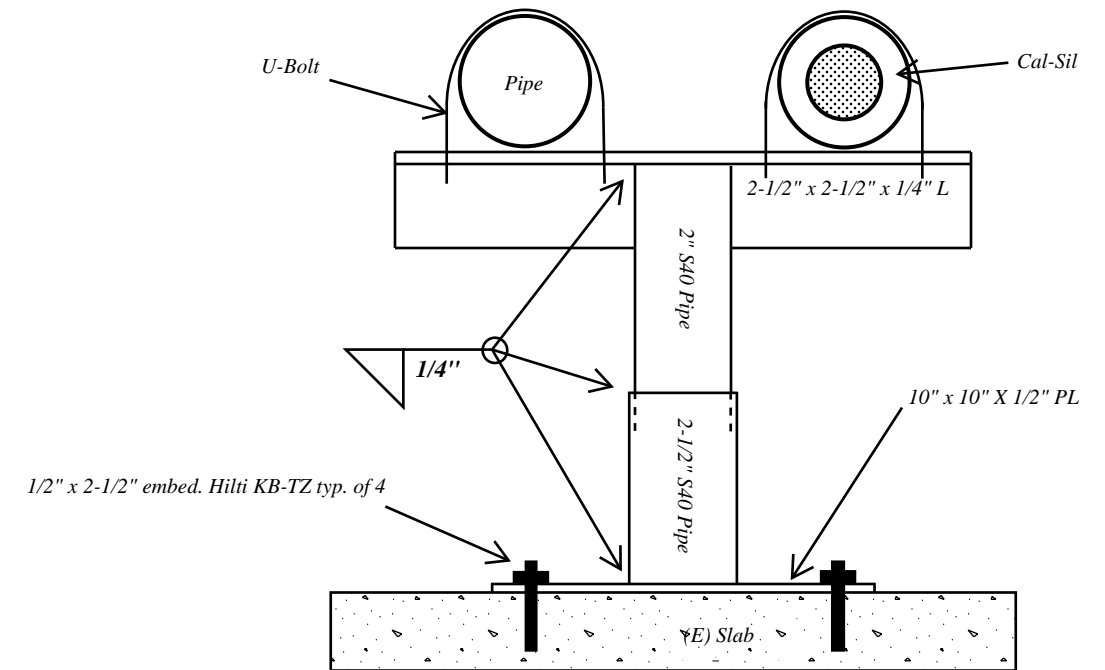
Buffer Tank Installation

A
M2

Buffer Tank Schedule	
Designation	BT-1
Tank Volume	500 gal.
Inlet/Outlet	6"
Manufacturer	Taco
Model	BTL0500F06-125N
Operating Wt.	5,325 lbs

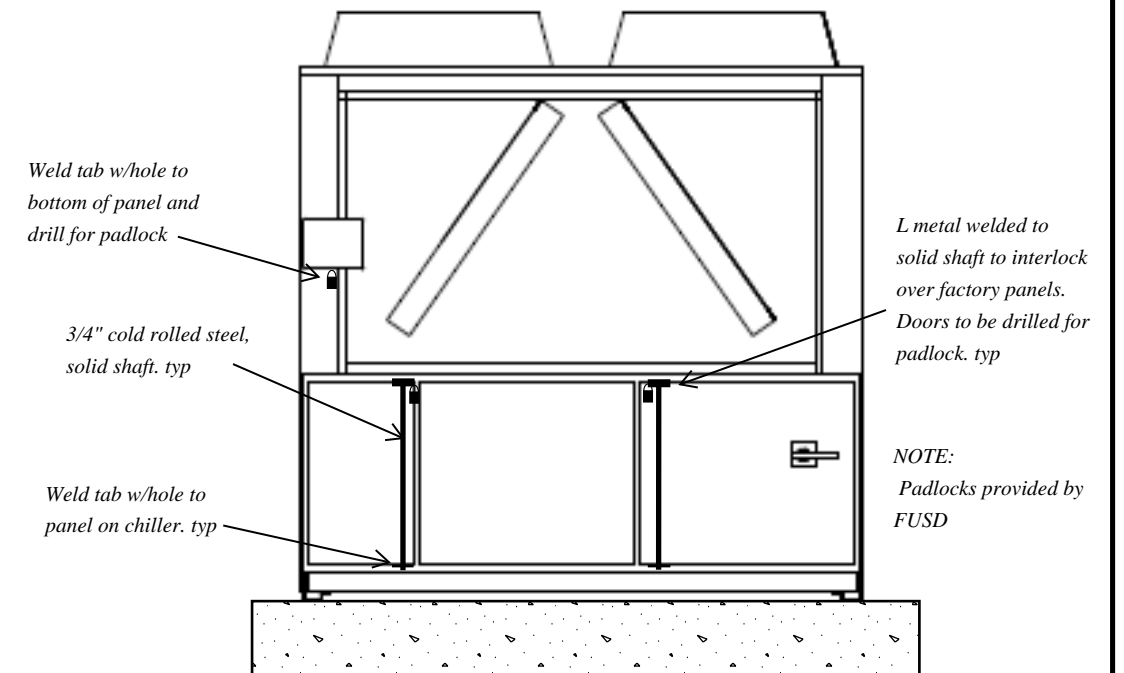
Pump Schedule	
Designation	P-2
Horsepower	1.5
Volts/Phase	460/3
RPM	1160
GPM/TDH	194/22 ft
Manufacturer	Taco
Model	4009D
Type	Inline
Frame	TEFC

Water Chiller-Air Cooled		
Designation	WC-1	Notes
Capacity (tons)	90	
Volts/Phase	460/3	
Compressor		Scroll Type
# of Circuits	2	
Comp. per Circuit	2	
Evaporator		
GPM	194	
Pressure Drop	12.80	ft/H2O evap + strainer
Manufacturer	Trane	
Model	CGAM090F2	
MCA	181	
MOP	200	



Pipe Stand Detail

B
M2



Vandal Proof Measures

C
M2

Details and Schedules		<p>Fresno Unified School District</p>
DATE: 5/5/2021	Scale None	